

Grow Your
Business with
our Hydraulic
Scrap Pusher For
Induction
Furnace

APR BRIGHT INDUSTRIES

www.aprgrabs.com



Hydraulic Furnace Pusher

We understand that everyone's workload is different and so our Hydraulic Pusher For Induction Furnace is also available in a choice of sizes to suit your operational goals.

Our machine Boom is designed in double web fabricated robust box with easy to replace, repair the poking rod. In scrap pusher boom end part is separate, because it is quite easy to replace without dismantling the entire boom. A telescopic sliding mechanism is used to keep the poking rod in the center of the induction furnace.

Hydraulic Scrap Poker Pusher For Induction Furnace



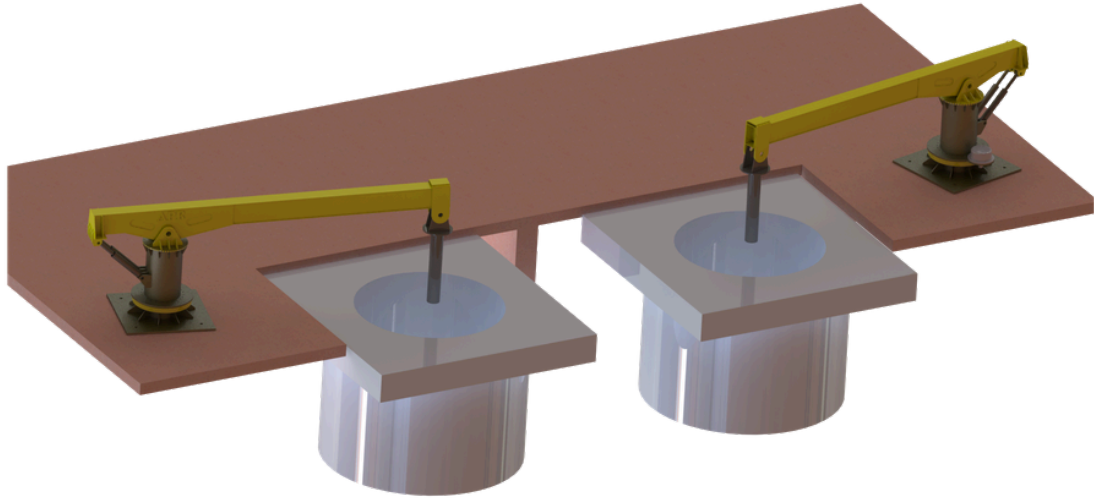
We are manufacturers of Hydraulic Pusher and delivers to several steel industries for induction furnace as per their requirements. Hydraulic Scrap Pocker mainly used to push the scrap into the induction furnace during the melting operation in the steel foundries. Hydraulic Pusher functionality is column-mounted and control through remote.

A electric motor is used for the rotation made with toothed gear slewing ring. Normally, two Hydraulic Pokers per set come with a common hydraulic system – one Power Supply Unit and two Furnaces – makes the operation task easy.

Hydraulic Scrap Poker Pusher for Induction Furnace Specifications

Capacity	20-70 Tons
Application	Furnace Scarp Pusher
Boom Length	7 -12meter
Operation	Electro-Hydraulic
Transmission	Hydraulic
Column	High Tensile
Base Frame	High Tensile





Do You Need Hydraulic Scrap Pocker

APR Grabs understand and evaluate the customer requirements and deliver the pusher for furnace as per capacity need.



+91- 98167-00039