



APR cranes

ORANGE PEEL ELECTRO HYDRAULIC GRAB BUCKET

Half-open or closed design

Jaw and tip material extremely wear-resistant steel

High jaw force, high compaction factor

Design and fabrication according standard FEM 1001/98, A8-M8-E8

Optimized geometry, high filling factor

Robust structure in height elastic strength

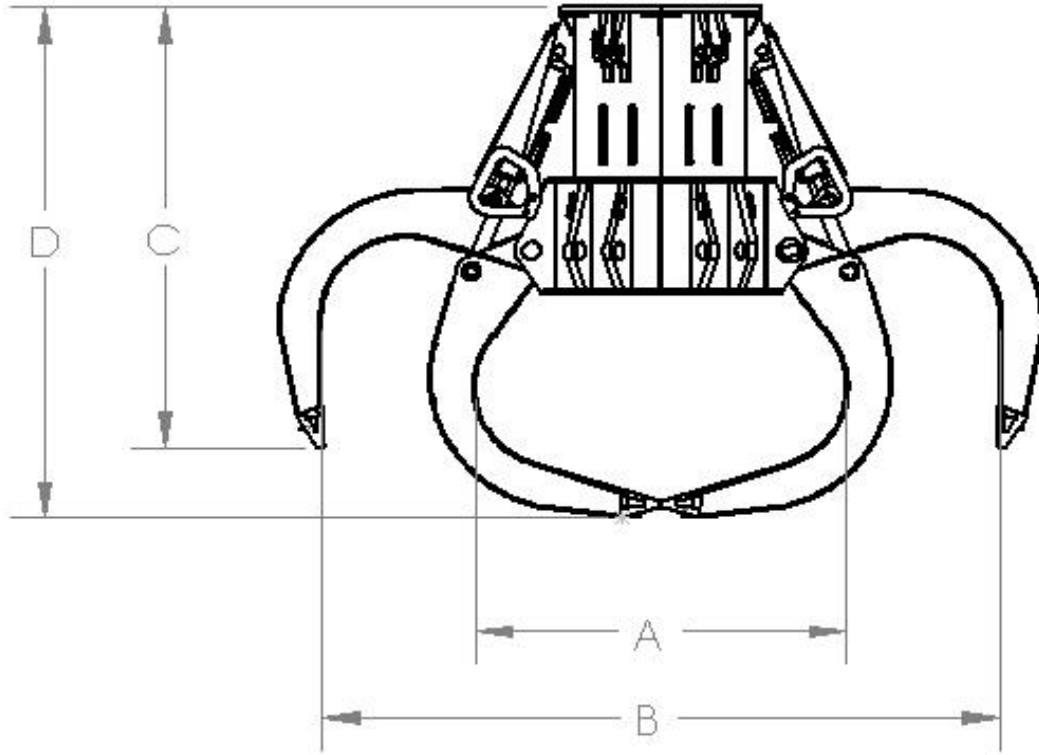
steel Axles of bearings :hardened special

material Full protected hydraulic cylinders.

Maintenance and lubrication free

FEA calculation. **ISO 9001/2008**





Capacity m ³	Jaw Quantity	Electric Motor kw	Working pressure bar	Aprox Weight kg	Dimensions in mm			
					A	B	C	D
1.5	6	30	162 to 180	3800	1665	3039	2061	2387
2.5	6	30	180 to 200	4600	1850	3412	2100	2581
3.5	6	30	181 to 200	5400	1997	3653	2266	2817
5	6	37	183 to 200	6600	2356	4320	2695	3268
6	6	37	184 to 200	7400	2492	4660	2835	3500
8	6	37	186 to 200	9000	2750	4834	3478	4015

APR BRIGHT INDUSTRIES

PLOT NO. 102,EPIP-1 JHARMAJRI,BADDI(H.P)

MOB.NO. 09816400039 , Email - aprbright@gmail.com